

# SHAD

ENGINEERED FOR RIDING



USER GUIDE SIDE CASE

# SH38X

 / EXPANDABLE

[WWW.SHAD.ES](http://WWW.SHAD.ES)

# MODULAR HELMET 1 CAPACITY



## FEATURES

40%

10 KG



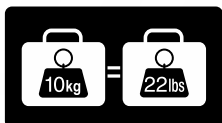
4P  
SYSTEM

3P  
SYSTEM



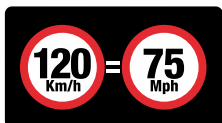
# CARE AND MAINTENANCE

## **WARNING!**



MAXIMUM WEIGHT

---



MAXIMUM SPEED, CHECK LOCAL LAWS.

---



ALWAYS SECURE AND LOCK PRODUCTS.

---



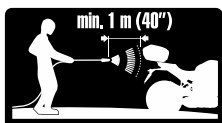
ONLY USE RECOMMENDED CLEANING PRODUCTS.

---



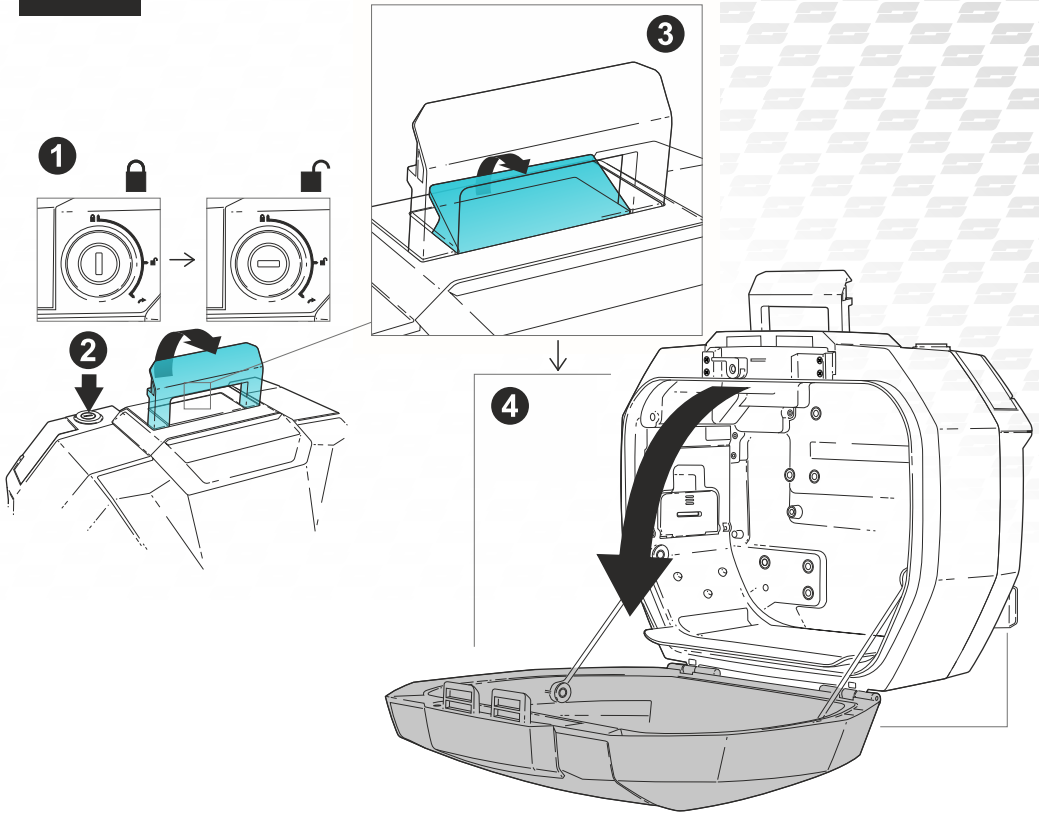
CASES ARE NOT DESIGNED TO PROTECT FRAGILE OBJECTS.

---

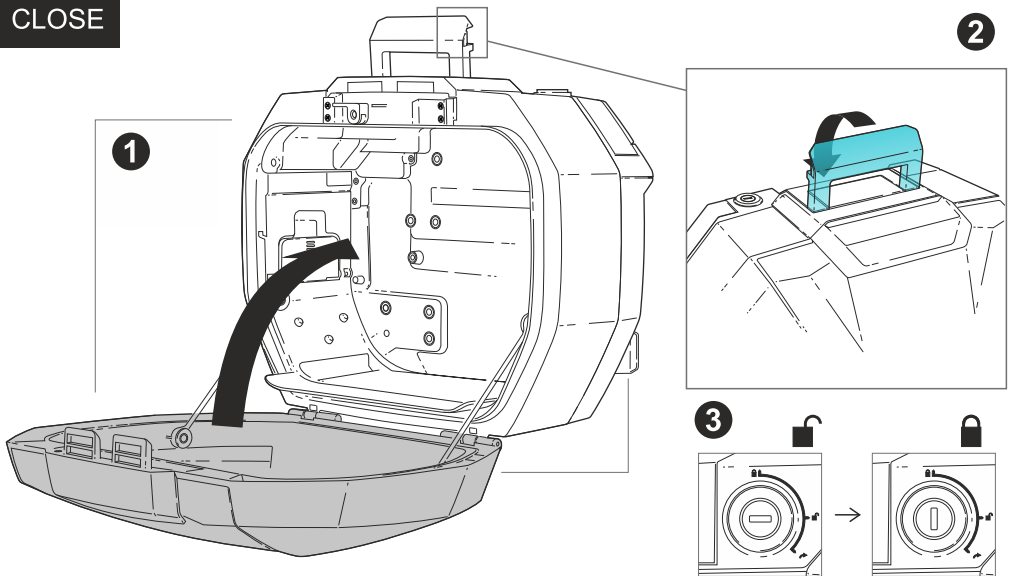


1 M. MINIMUM DISTANCE WITH POWER WASHER.

# OPEN

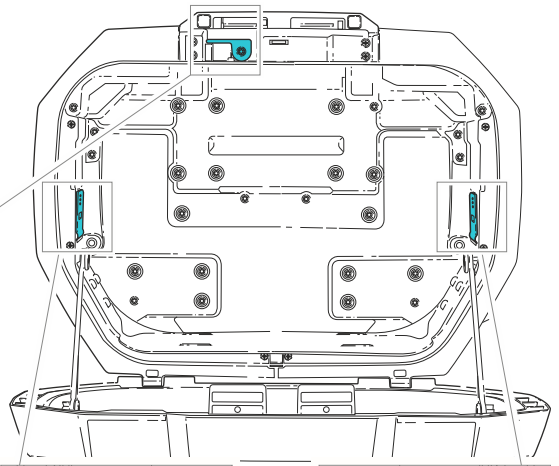
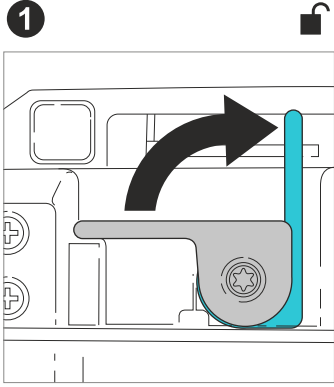


# CLOSE

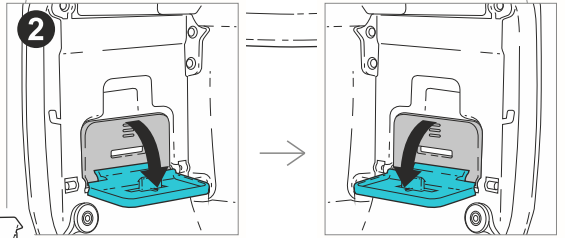


# EXPAND

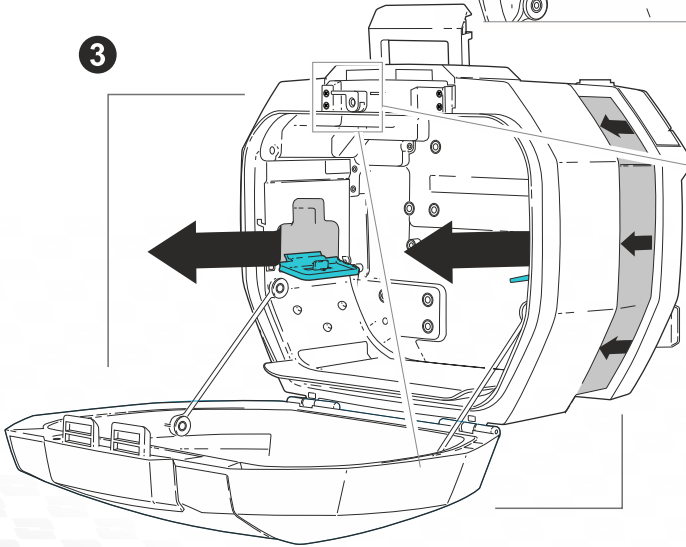
1



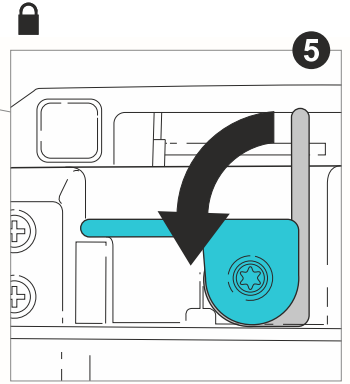
2



3

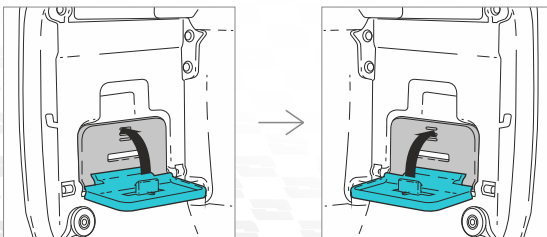


5



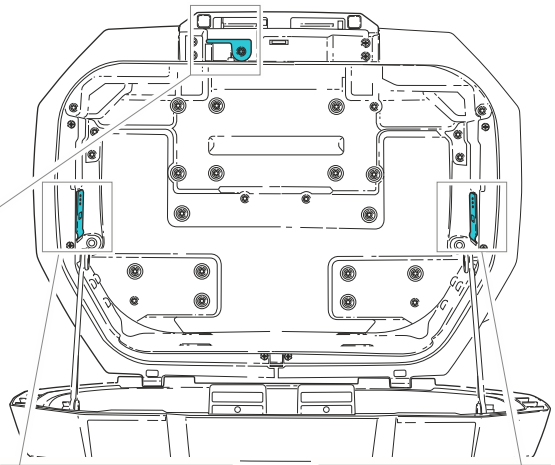
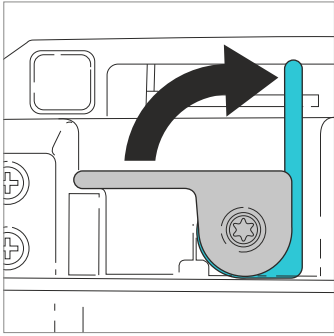
**WARNING!** 

4

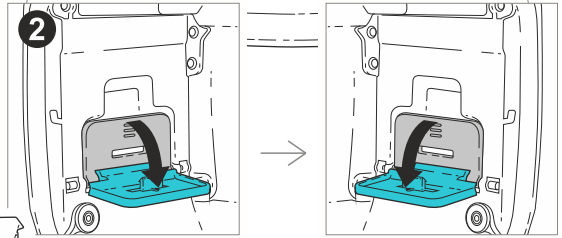


UNEXPAND

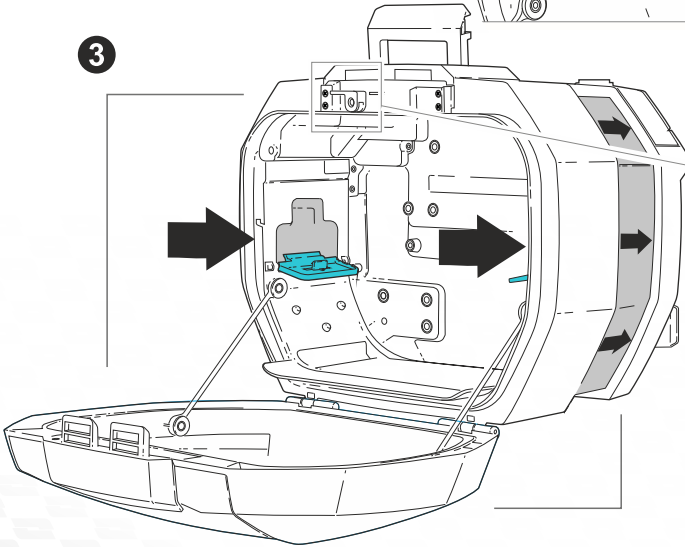
1



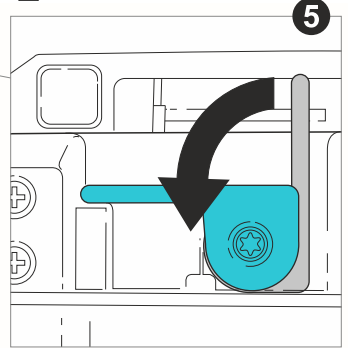
2



3

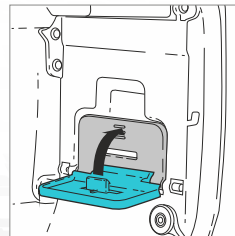
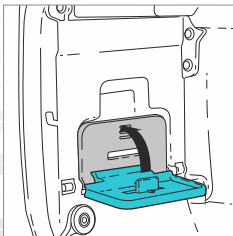


5



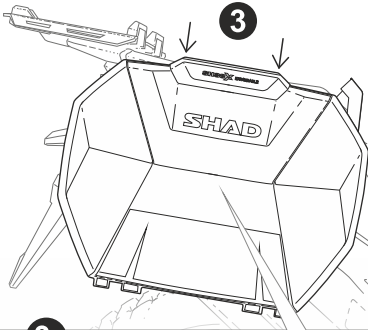
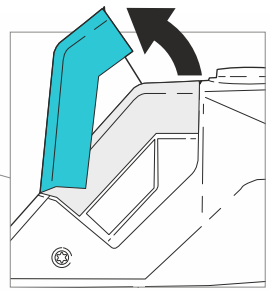
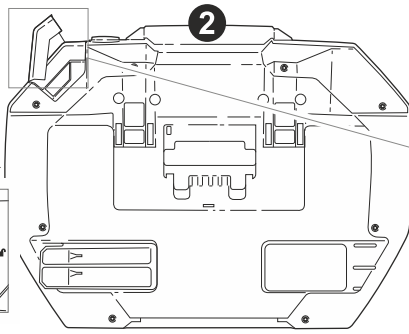
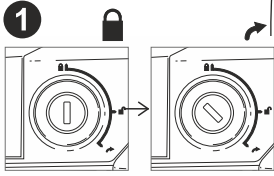
**WARNING!** 

4

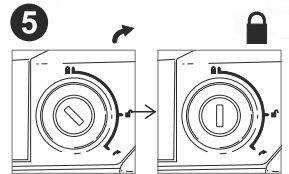
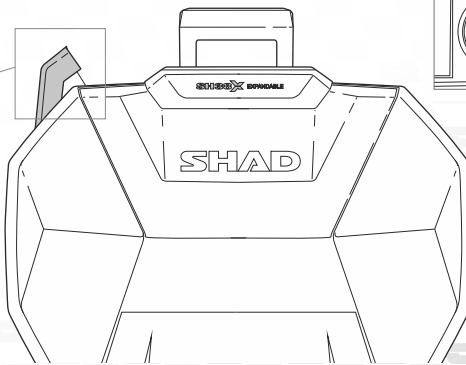
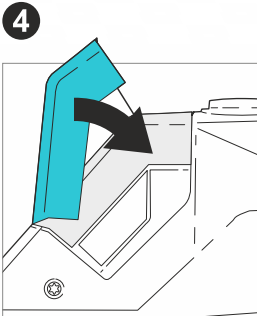
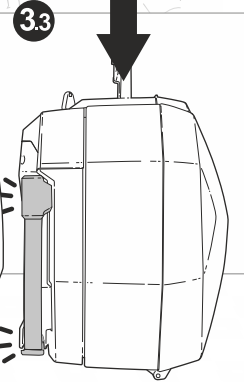
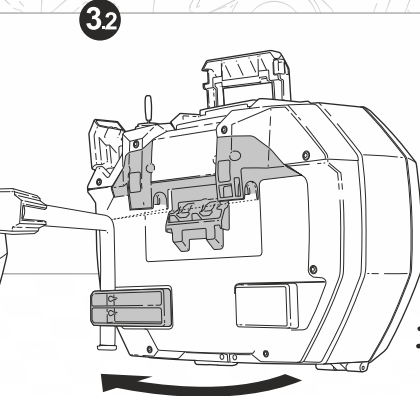
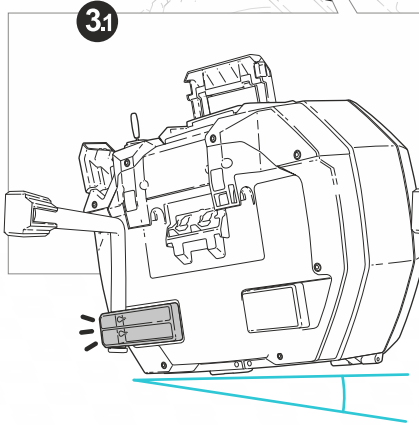


# ASSEMBLY

**3P**  
SYSTEM



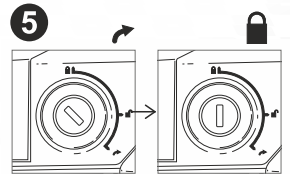
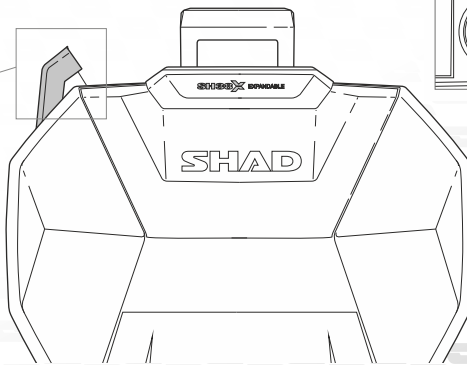
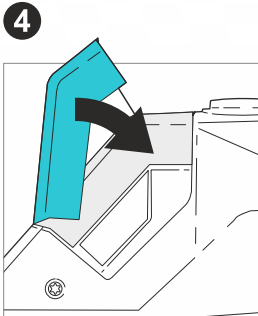
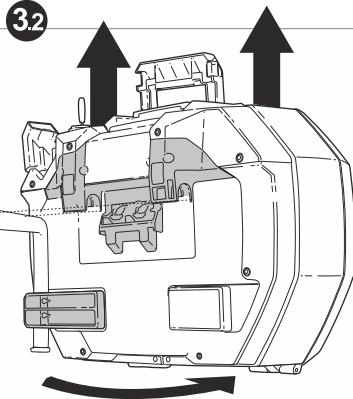
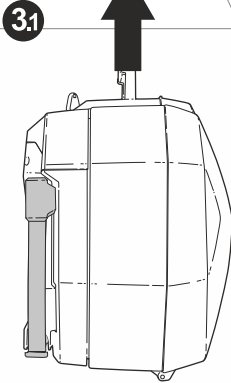
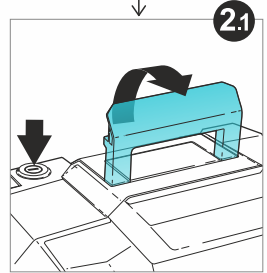
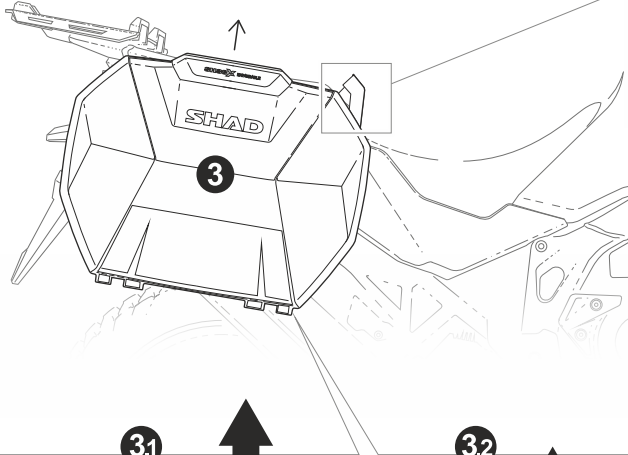
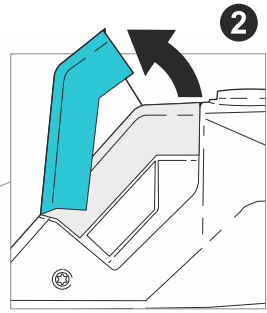
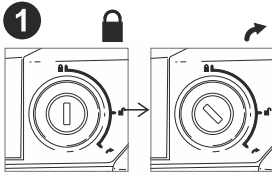
PUSH DOWN



**WARNING!**

RELEASE

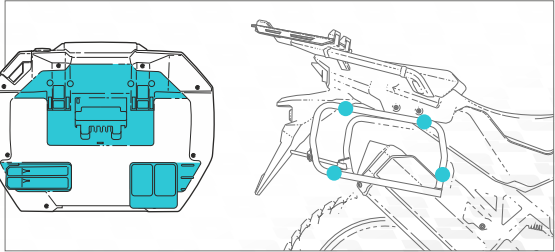
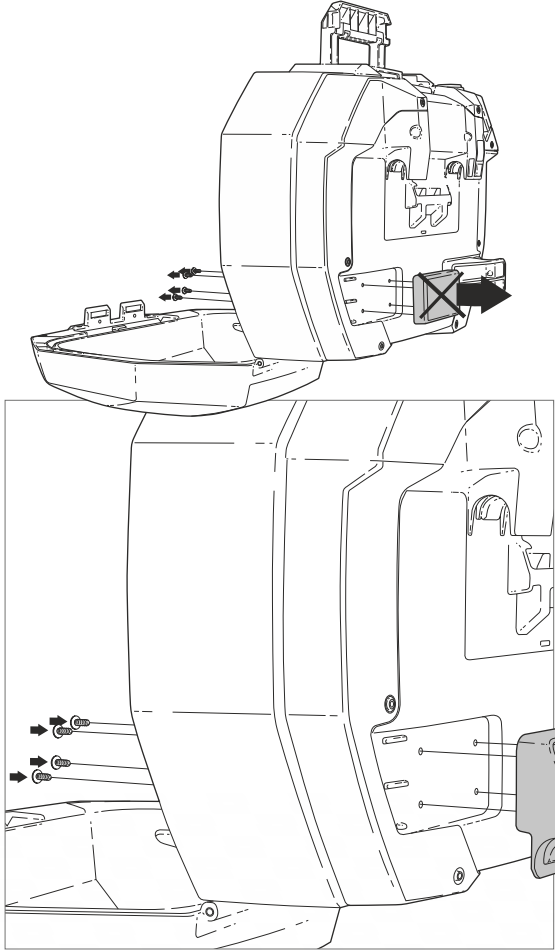
**3P**  
SYSTEM



**WARNING!**



**CONVERT TO 4P**



## ACCESSORIES

### EXPANDABLE INNER BAG

Ref. X0IB38



## INCLUDED

### INNER NET

Ref. X0B3801



## COLORS

### BLACK

Ref. D1B38E21

### WHITE

Ref. D1B38E08

### CARBON

Ref. D1B38E06

### UNPAINTED COVER

Ref. D1B38ER



DESIGNED IN BARCELONA

Since 1973

### SHAD EUROPE MADRID

#### HEADQUARTERS

T: (+34) 935 795 866  
Octave Lecante, 2-6  
Mollet del Valles, 08100  
Barcelona - Spain

### SHAD CHINA

T: (+86)21- 62365730  
Room 232, Building B,  
No.668 Hengfeng Road,  
Jing'An District, 200070  
Shanghai - China

### SHAD USA

T: (+1) 305 652 6366  
19096 NE 4th Court  
Miami FL, 33179  
USA

### SHAD INDONESIA

T: (+62) 21 2271 8560  
Jl. Kemang Selatan VIII No.56 Unit B  
Jakarta 12730 Indonesia

[WWW.SHAD.ES](http://WWW.SHAD.ES)



# SHAD

ENGINEERED FOR RIDING

**RESOURCE REDUCTION**  
**60% SELF SUSTAINING FACTORIES**  
**1500 TREES PLANTED** 

 tree-nation

ISO 14001:2015



[WWW.SHAD.ES](http://WWW.SHAD.ES)